


Technical Specifications

YGEV 6-2pin Series Electrical Connectors

• Product Overview

 <p>Application Scenario</p> <p>Suitable for high voltage electrical connections such as battery packs, MCUs, high voltage boxes, etc. in electric vehicles.</p>	<p>Advantages</p> <ul style="list-style-type: none"> ✓The product can achieve 360-degree full shielding; ✓ The product can realize secondary interlocking and unlocking; ✓ The product has a delayed high voltage interlocking function; ✓ The key positions at both ends adopt 4 different combinations to realize the function of preventing wrong insertion; ✓The receptacle adopts Yonggui's independently developed high-power terminal, which has the advantages of large number of contact points and strong current carrying capacity; ✓Plugs are available in straight and angled styles.
--	---

• Ordering Information

Ordering information (assembly)				
Key position	A			
Product Name	YGEV6-P2PWHA plug (70mm ²)	YGEV6-P2PWHA plug (95mm ²)	YGEV6-P2PHA plug (70mm ²)	YGEV6-P2PHA plug (95mm ²)
Part No.	TBD	111000405971	TBD	111000405973
Product Name	YGEV6-S2RA receptacle			
Part No.	111000502953			

Ordering information (assembly)	Ordering information (parts details, can be purchased separately)				
	Product Name	Product Number	Qty	Wiring specifications	Diagram (reference)

YGEV6-P2PWHA plug (70mm ²)	TBD	YGEV6-P2PWHA plug assembly	112010106158	1	/	
		24×3.5NAS001-095SW pin terminal	114020503252	2	70mm ² (LV216) Φ17.8±0.4mm	
		YGEV5 shielding-inner-70	114029801926	2		
		YGEV6-P2PWHA Shielding-External-70	TBD	2		
		Φ18.8×2 Gasket	TBD	2		
		Cable clamp assembly R9.4 (YGEV6)	TBD	2		
		Φ18.8 Tail cover	TBD	2		
YGEV6-P2PWHA plug (95mm ²)	1110004059 71	YGEV6-P2PWHA plug assembly	112010106158	1		/
		24×3.5NAS001-095SW pin terminal	114020503252	2	95mm ² (LV216) Φ20.5±0.4mm	
		YGEV6 Shielding-Inner-95	114022600480	2		
		YGEV6-P2PWHA Shielding-External-95	114022600475	2		
		Φ21.5×2 Gasket	114060103683	2		
		Cable clamp assembly R10.75 (YGEV6)	113069800639	2		
		Φ21.5 Tail cover	114060103685	2		

Ordering information (assembly)		Ordering information (parts details, can be purchased separately)				
		Product Name	Product Number	Qty	Wiring specifications	Diagram (reference)
YGEV6-P2PHA plug (70mm ²)	TBD	YGEV6-P2PHA plug assembly	112010106159	1	/	
		33×3.5NAS001-095SW pin terminal	114020503298	2	70mm ² (LV216) Φ17.8±0.4mm	
		YGEV5 shielding-inner-70	114029801926	2		
		YGEV6-P2PHA Shielding-External-70	TBD	2		
		Φ18.8×2 Gasket	TBD	2		
		Cable clamp assembly R9.4 (YGEV6)	TBD	2		
		Φ18.8 Tail cover	TBD	2		
YGEV6-P2PHA plug (95mm ²)	111000405973	YGEV6-P2PHA plug assembly	112010106159	1		/
		33×3.5NAS001-095SW pin terminal	114020503298	2	95mm ² (LV216) Φ20.5±0.4mm	
		YGEV6 Shielding-Inner-95	114022600480	2		
		YGEV6-P2PWHA Shielding-External-95	114022600475	2		
		Φ21.5×2 Gasket	114060103683	2		
		Cable clamp assembly R10.75 (YGEV6)	113069800639	2		
		Φ21.5 tail cover	114060103685	2		

Ordering information (assembly)		Ordering information (parts details, can be purchased separately)				
		Product Name	Product Number	Qty	Wiring specifications	Diagram (reference)
YGEV6-S2RA receptacle	1110005029 53	YGEV6-S2RA receptacle assembly	112020106944	1	/	
		YGEV5-2 Needle Insulator	114060103508	1	/	
		0.63x0.63 pin	110010401011	2	$\Phi(1.2-1.3)\pm 0.1$ (0.25-0.35mm ²)	

• Technical Data

Basic Information	
PIN distance	28.8mm
Number of cores	2pin
Cable specifications	70mm ² ($\Phi 17.8\pm 0.4$ mm), 95mm ² ($\Phi 20.5\pm 0.4$ mm)
Outlet direction	90°、180°

Electrical properties	
Rated voltage	1000 V (power), 24 V (signal)
Rated current	300A (70mm ²), 400A (95mm ²)
Withstand voltage	3000 V (power), 1000 V (signal) (50Hz AC normal)
Insulation resistance	$\geq 100M\Omega$ (power/signal) (1000V DC)
HVIL (Y/N)	Y
Shield (Y/N)	Y

Mechanical properties	
Mechanical life	≥ 50 times
Vibration level	V2 (USCAR 37)

Environmental resistance	
Operating temperature	-40°C ~ +125°C
Protection level	IP67&IP6K9K (header plug-in)
Relative humidity	95% (at 40°C)
Salt spray level	96h
Altitude	≤ 4000 m

Material/Coating/Appearance	
-----------------------------	--

See Parts Drawing

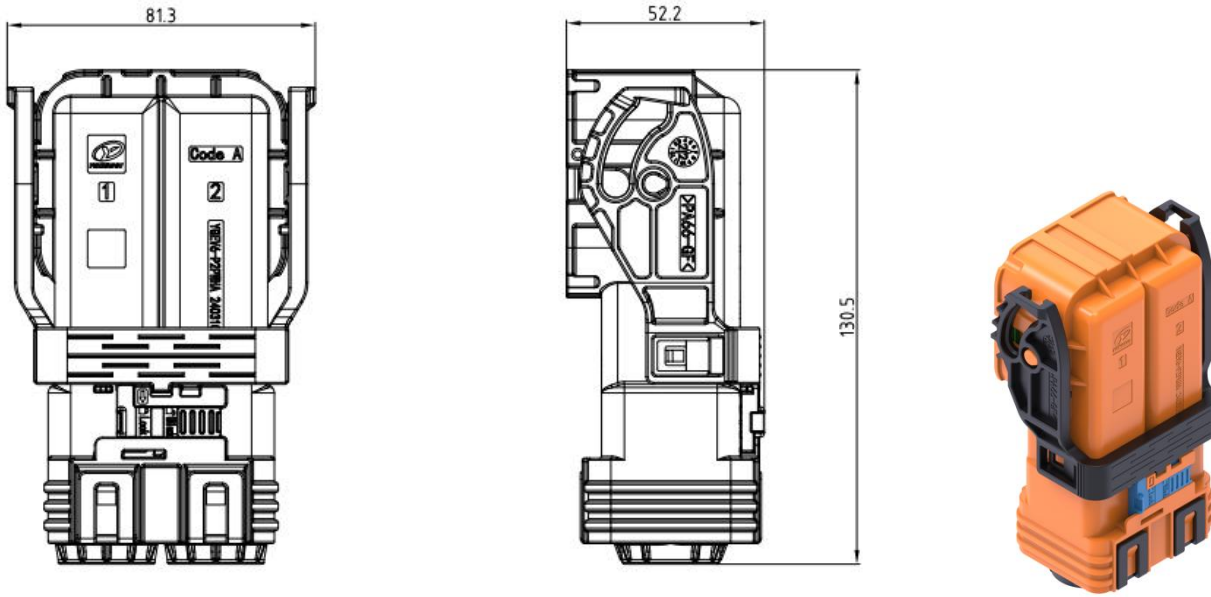
Standards and Certification

Flame retardant grade	UL94 V-0 (plastic), HB (rubber)
Environmental requirements	RoHS 2.0
Implementation Standards	QC/T 1067.1, USCAR-37, USCAR-2, GB/T 30038

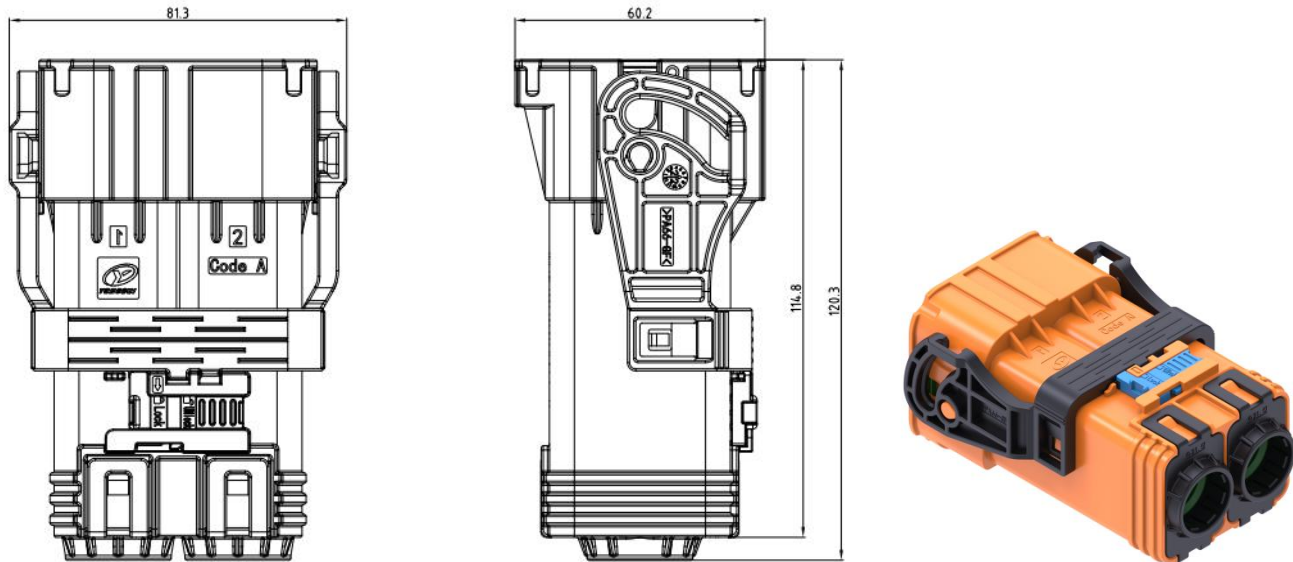
For other technical data, please refer to the DV/PV test report

• Dimensions

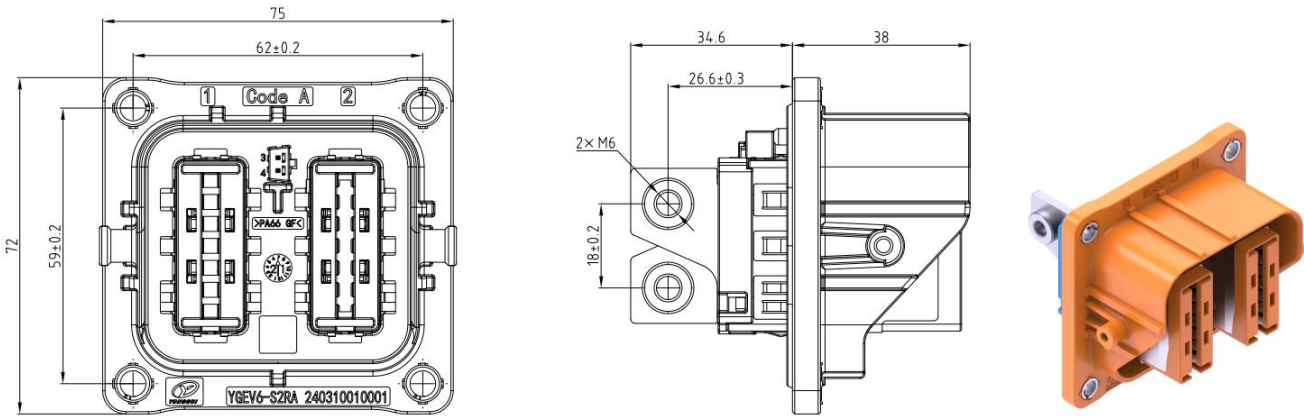
YGEV6-P2PWH series plug assembly appearance (tolerance not specified: ± 0.5)



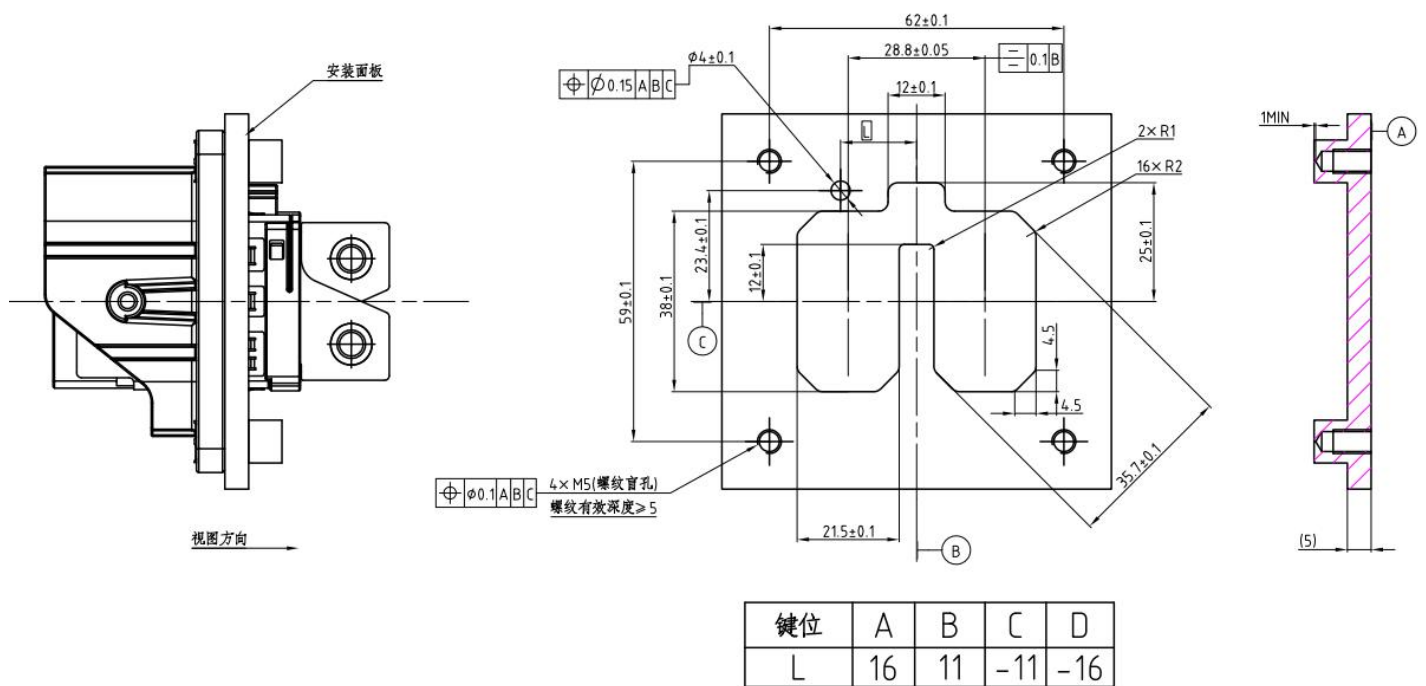
YGEV6-P2PH series plug assembly appearance (tolerance not specified: ± 0.5)



YGEV6-S2R series receptacle assembly appearance (tolerance not specified: ± 0.5)



YGEV6-S2R series receptacle installation hole size (unmarked tolerance: ± 0.1)



• Installation Introduction

Special tools	
Removal tools	/
Needle feeding tool	/
Crimping tools	/
Other Tools	/

- Store

Packaging Storage/Transportation Instructions	
Storage requirements	Contact parts (gold-plated, silver-plated) must be stored separately, kept neat, clean and ventilated. The storage environment should be controlled at a humidity of $\leq 60\%$ and a temperature of $5 \sim 30^{\circ}\text{C}$. Reference shelf life 6 months
Transshipment requirements	During packaging, transportation, transfer, production and assembly, the terminals should be protected from collision, contact with corrosive gases and liquids, and direct contact with hands, etc., to ensure that the terminal contact surface is in good condition.