


Technical Data Sheet---YGEV4-2pin Series Electrical Connectors

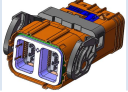
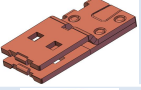



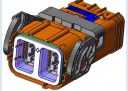
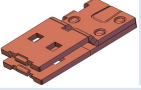



• Product Overview





 <p>APPLICATIONS Suitable for the electrical connection of electric vehicle battery pack, electric drive, electric control, high voltage box and so on.</p>	<p>Advantages</p> <ul style="list-style-type: none"> ✓ It can realize 360 degree full shielding; ✓ With high-voltage interlocking function; ✓ Different combinations of anti-dumping key positions at both ends are used to realize the function of anti-wrong plug; ✓ The connection between plug and receptacle is in the form of tie bar locking; ✓ The plug is welded with terminals.
---	---

• Ordering Information

Ordering Information								
Keys	I							
Product Name	YGEV4-S2PWHA Plug (35mm ²)		YGEV4-S2PWHA Plug (50mm ²)		YGEV4-S2PHA Plug (35mm ²)		YGEV4-S2PHA Plug (50mm ²)	
Product Number	TBD		TBD		TBD		TBD	
Pair of plug end name	YGEV4-P2RA1 Receptacle	YGEV4-P2RA2 Receptacle	YGEV4-P2RA1 Receptacle	YGEV4-P2RA2 Receptacle	YGEV4-P2RA1 Receptacle	YGEV4-P2RA2 Receptacle	YGEV4-P2RA1 Receptacle	YGEV4-P2RA2 Receptacle
Pair of plug end number	TBD	TBD	TBD	TBD	TBD	TBD	TBD	TBD

Ordering Information		Ordering information (breakdown of parts, which can be purchased separately)				
		Name	Part No.	Quantity	Wiring specifications	Diagram (reference)
YGEV4-S2PWHA Plug(35mm ²)	TBD	YGEV4-S2PWHA Plug assembly	112010105663	1	/	
		YGEV4WA-1 insulator1	114060103317	2	35mm ² (LV216) Φ14.1±0.3mm	
		YGEV4WA-1 insulator2	114060103318	2		
		YGEV4WA Shield Ring-Outside-35	114022600423	2		
		YGEV4WA Shield Ring - Inside-35	114022600422	2		
		YGEV4WA Shield	114022600412	2		
		18×2 Socket	114020101218	2		
		φ14.8 Tailcap assembly(Black)	113990001498	2		
YGEV4-S2PWHA Plug(50mm ²)	TBD	YGEV4-S2PWHA Plug assembly	112010105663	1		/
		YGEV4WA-1 insulator1	114060103317	2	50mm ² (LV216) Φ15.5±0.3mm	
		YGEV4WA-1 insulator2	114060103318	2		
		YGEV4WA Shield Ring2	114022600406	2		
		YGEV4WA Shield Ring1	114022600405	2		
		YGEV4WA Shield	114022600412	2		
		18×2 Socket	114020101218	2		
		φ16.2 Tailcap assembly(Black)	113069800540	2		

Ordering Information		Ordering information (breakdown of parts, which can be purchased separately)				
		Name	Part No.	Quantity	Wiring specifications	Diagram (reference)
YGEV4-S2PHA Plug (35mm ²)	TBD	YGEV2-S2PA Plug assembly	112010106228	1	/	
		18×2 Socket	TBD	2	35mm ² (LV216) Φ14.1±0.3mm	
		YGEV4A Shield Ring - Inside-35	TBD	2		
		YGEV4WA Shield Ring- Outside-35	114022600423	2		
		φ14.8 Tailcap assembly(Black)	13990001498	2		
YGEV4-S2PHA Plug (50mm ²)	TBD	YGEV2-S2PB Plug assembly	112010105914		/	
		18×2 Socket	TBD		50mm ² (LV216) Φ15.5±0.3mm	
		YGEV4A Shield Ring - Inside-50	TBD			
		YGEV4WA Shield Ring2	114022600406			
		φ16.2 Tailcap assembly(Black)	113069800540			

Ordering Information		Ordering information (breakdown of parts, which can be purchased separately)				
		Name	Part No.	Quantity	Wiring specifications	Diagram (reference)
YGEV4-P2RA1 Receptacle	TBD	YYGEV4-P2RA1 Receptacle assembly	112020106445	1	/	
		0.63×0.63插针	501021400215	2	$\Phi(1.2-1.3)\pm 0.1$ (0.25-0.35mm ²)	
YGEV4-P2RA2 Receptacle	TBD	YGEV2-P2RB Receptacle assembly	112020106703	1	/	
		5.8×0.8插针 (2.5mm ²)	110010400760	2	$\Phi(1.2-1.3)\pm 0.1$ (0.25-0.35mm ²)	

• Technical Data

Basic Information	
PIN distance	24mm
Number of pins	2pin
Wiring specifications	35mm ² ($\phi 14.1\pm 0.3$ mm)、50mm ² ($\phi 15.5\pm 0.3$ mm)
Outlet direction	90°、180°

Electrical Performance	
Rated Voltage	1000 V (Power) , 24 V (Signal)
Rated current	150A (35mm ²)、220A (50mm ²)
Withstanding Voltage	3000 V (Power) , 1000 V (Signal) (50Hz AC Normal)
Insulation resistance	$\geq 100M\Omega$ (Power/ Signal) (1000V DC)
HVIL (Y/N)	Y
Shielding (Y/N)	Y

Mechanical Performance	
Mechanical life	≥ 50 times
Vibration	V2 (USCAR 37)

Environmental Performance	
Working Temperature	-40°C~+125°C
Protection Class	IP67&IP6K9K
Relative Humidity	95% (40°C)
Salt Spray Grade	96h
Altitude	≤ 4000 m

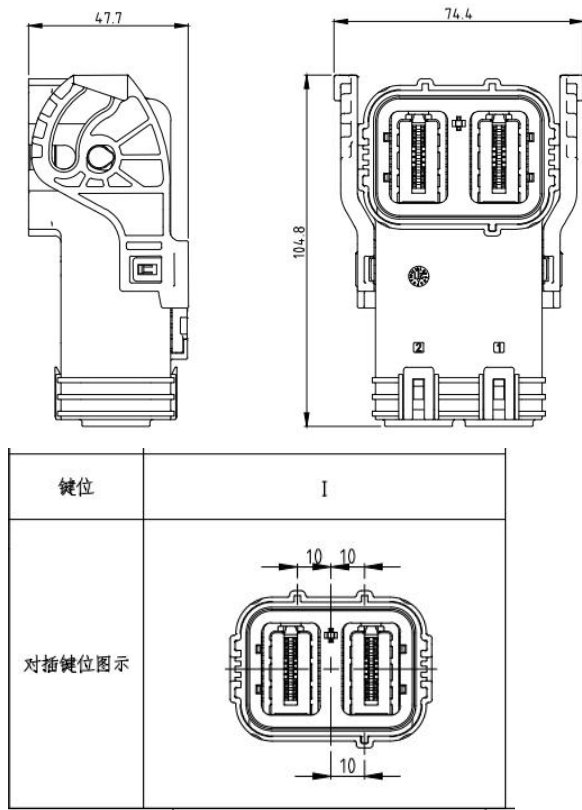
Material/Coating/Appearance	
See parts drawings	

Standards & Certifications	
Flame retardant grade	UL94 V-0(Plastic), HB(Rubber)
Environmental Requirements	RoHS 2.0
Standard	QC/T 1067.1、USCAR-37、USCAR-2、GB/T 30038

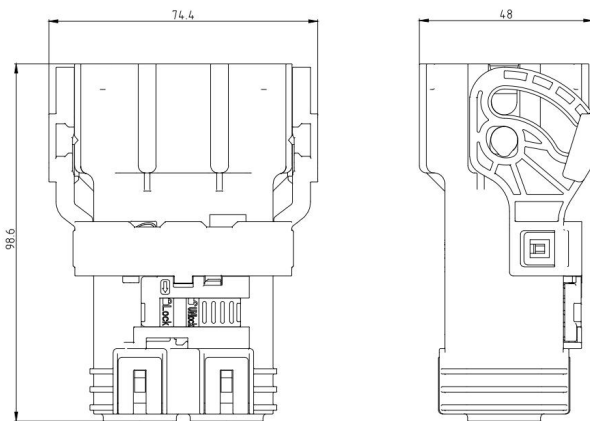
For additional technical data see DV/PV test report

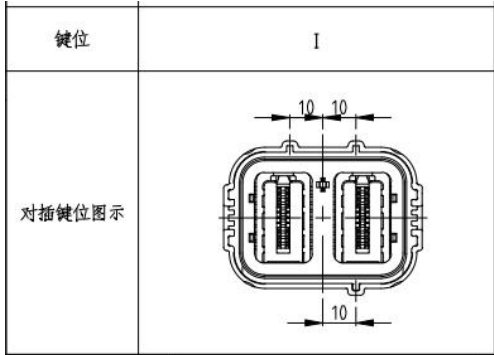
• Product Size

YGEV4-S2PW Series-Plug Assembly Outline (Tolerance:±0.5)

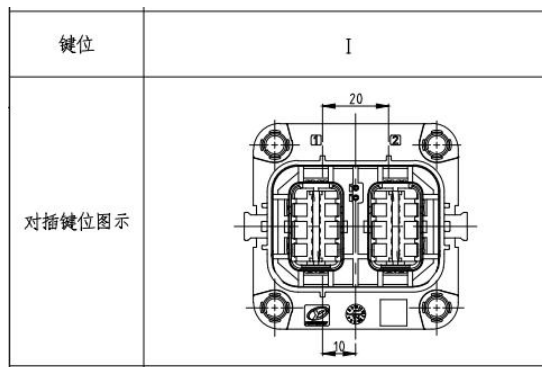
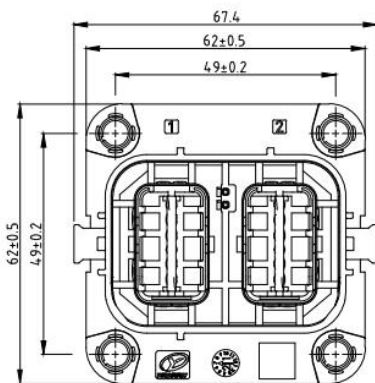
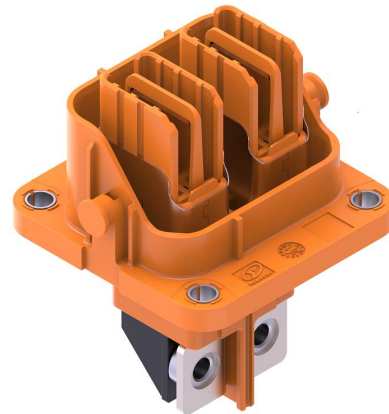
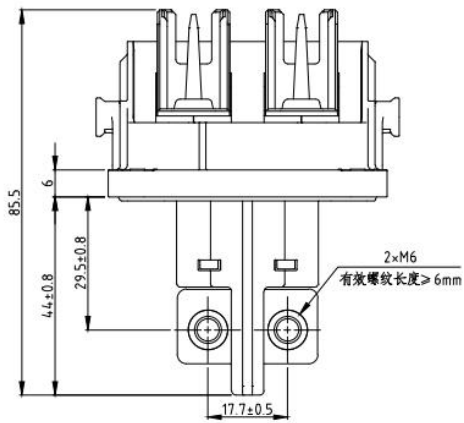


YGEV4-S2P Series-Plug Assembly Outline (Tolerance:±0.5)



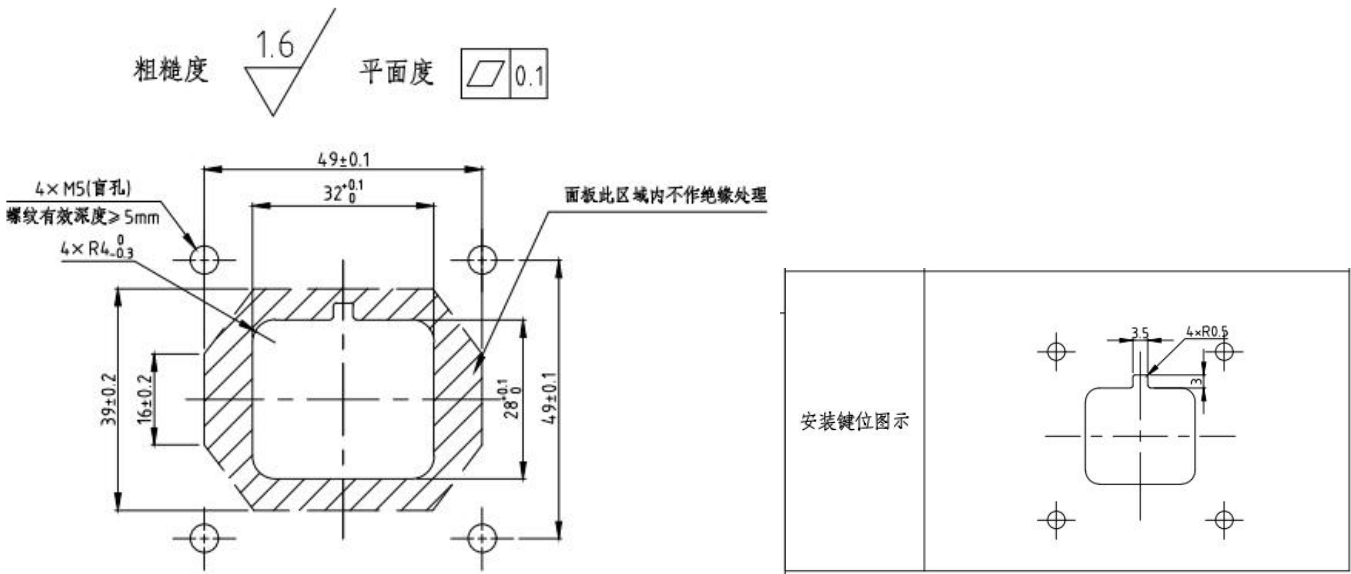


YGEV4-P2RA1 Series-Receptacle Assembly Outline (Tolerance:±0.5)

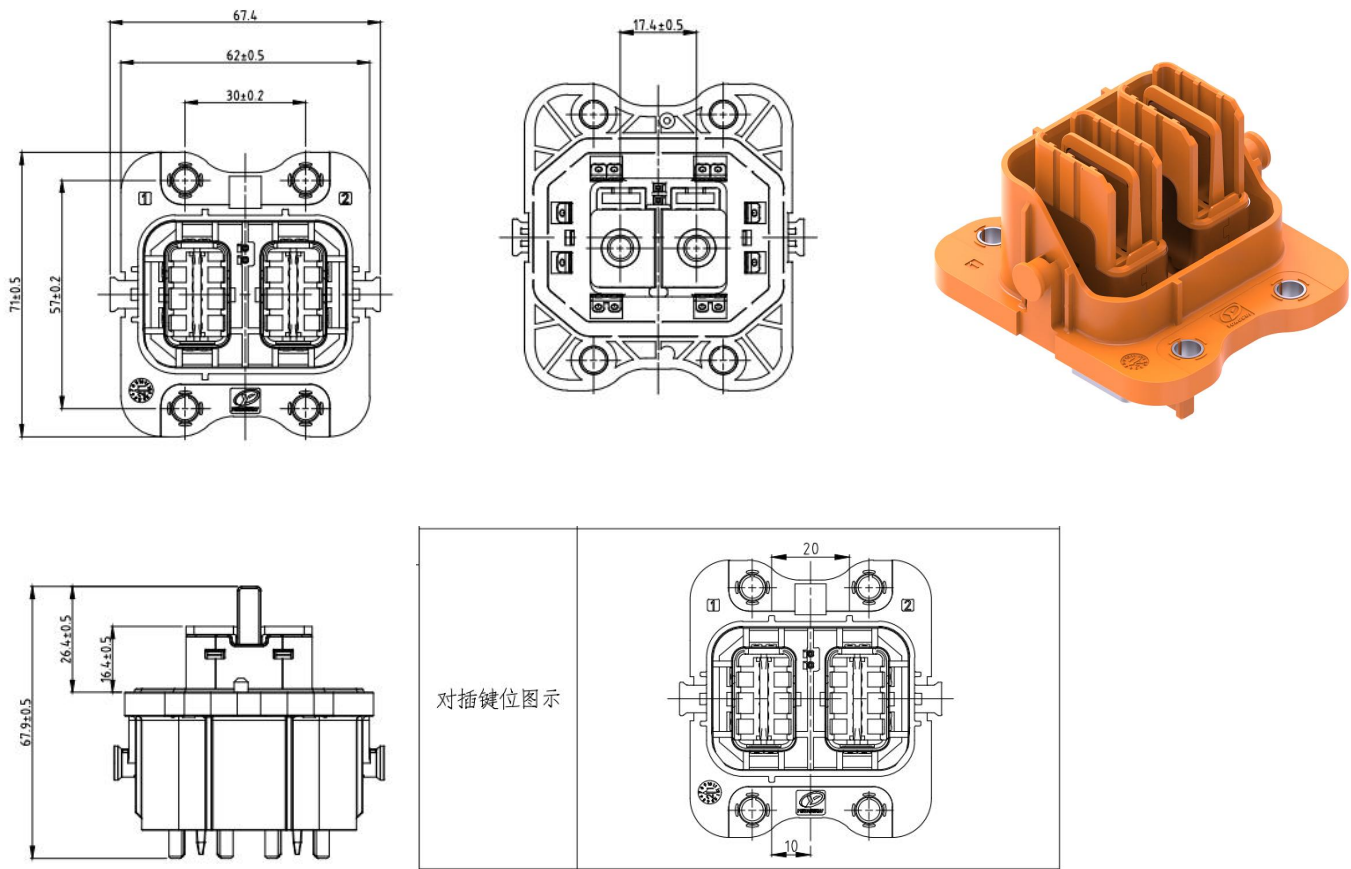


YGEV4-P2RA1 Series-Receptacle Mounting Opening Dimensions (Unnoted Tolerance:±0.1)

推荐安装面板尺寸：2mm ≤ 面板厚度 ≤ 5mm

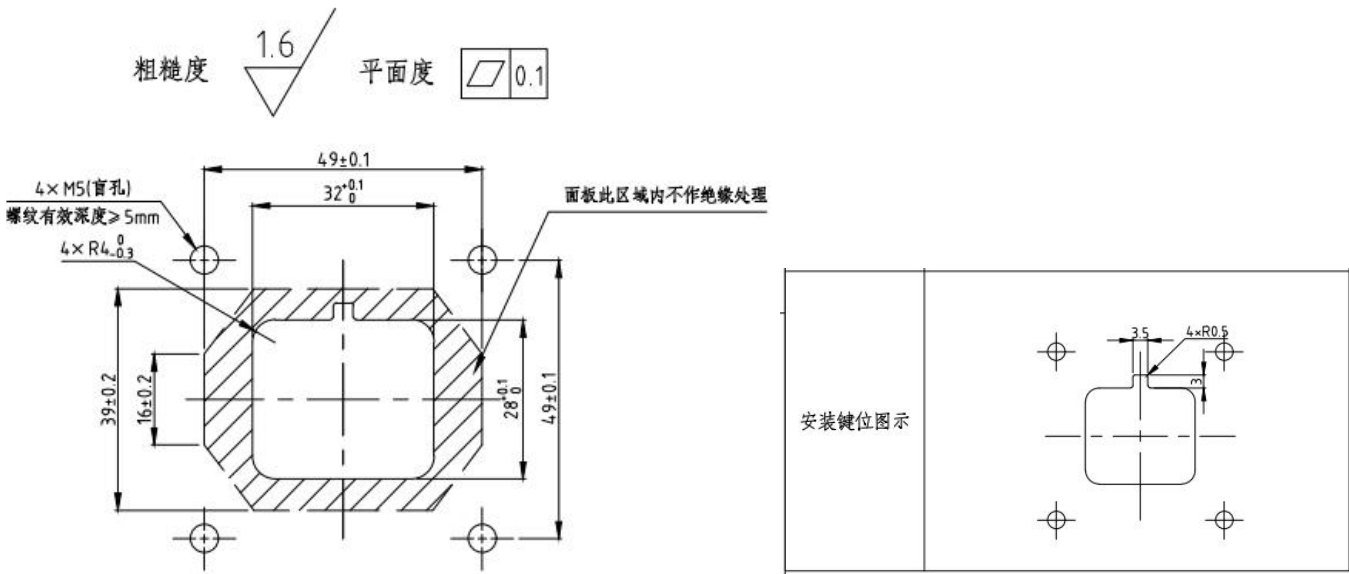


YGEV4-P2RA2 Series-Receptacle Assembly Outline (Tolerance:±0.5)



YGEV4-P2RA2 Series-Receptacle Mounting Opening Dimensions (Unnoted Tolerance:±0.1)

推荐安装面板尺寸：2mm ≤ 面板厚度 ≤ 5mm



• Installation Instructions

Specialized tools	
Removal Tools	/
Needle Feeder Tool	/
Crimping Tools	/
Other Tools	/

• Stored

Packaging storage/transit instructions	
Storage Requirements	Contact parts (gold-plated, silver-plated) parts must be stored separately and kept neat, clean and ventilated. The storage environment should be controlled at a humidity of ≤60% and a temperature of 5~30°C. Reference shelf life 6 months
Transit Requirements	Terminals should avoid collision, contact with corrosive gases and liquids, and direct hand contact in the process of packaging, transportation, transfer and production, assembly, etc. to ensure that the contact surface of the terminals is good.